

## KE Sink 30" x 17" – U/M



Kitchen Sinks

Code: 1870 660

AISI 304 Stainless steel  
Foster brushed  
Undermount



### DETAILS

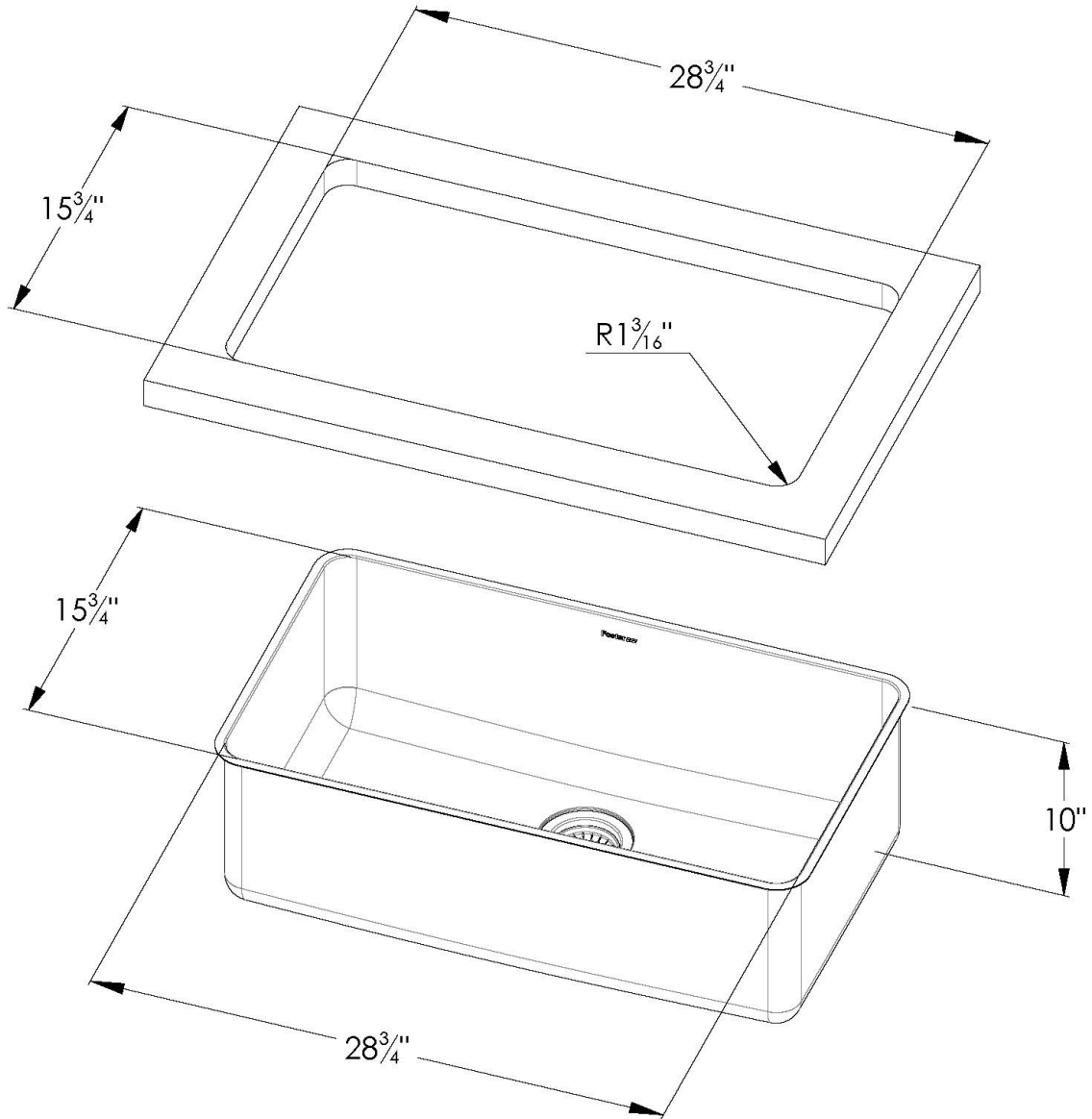
<b>Series</b>	KE
<b>Material</b>	AISI 304 stainless steel
<b>Finish</b>	Foster brushed
<b>Edge/Installation Type</b>	Undermount
<b>Thickness</b>	18 Gauge (1.2 mm)
<b>Overall dimensions</b>	29 <sup>3</sup> / <sub>4</sub> " x 16 <sup>3</sup> / <sub>4</sub> "
<b>Bowl dimension</b>	1 bowl 28 <sup>3</sup> / <sub>4</sub> " x 15 <sup>3</sup> / <sub>4</sub> "
<b>Bowl depth</b>	10"

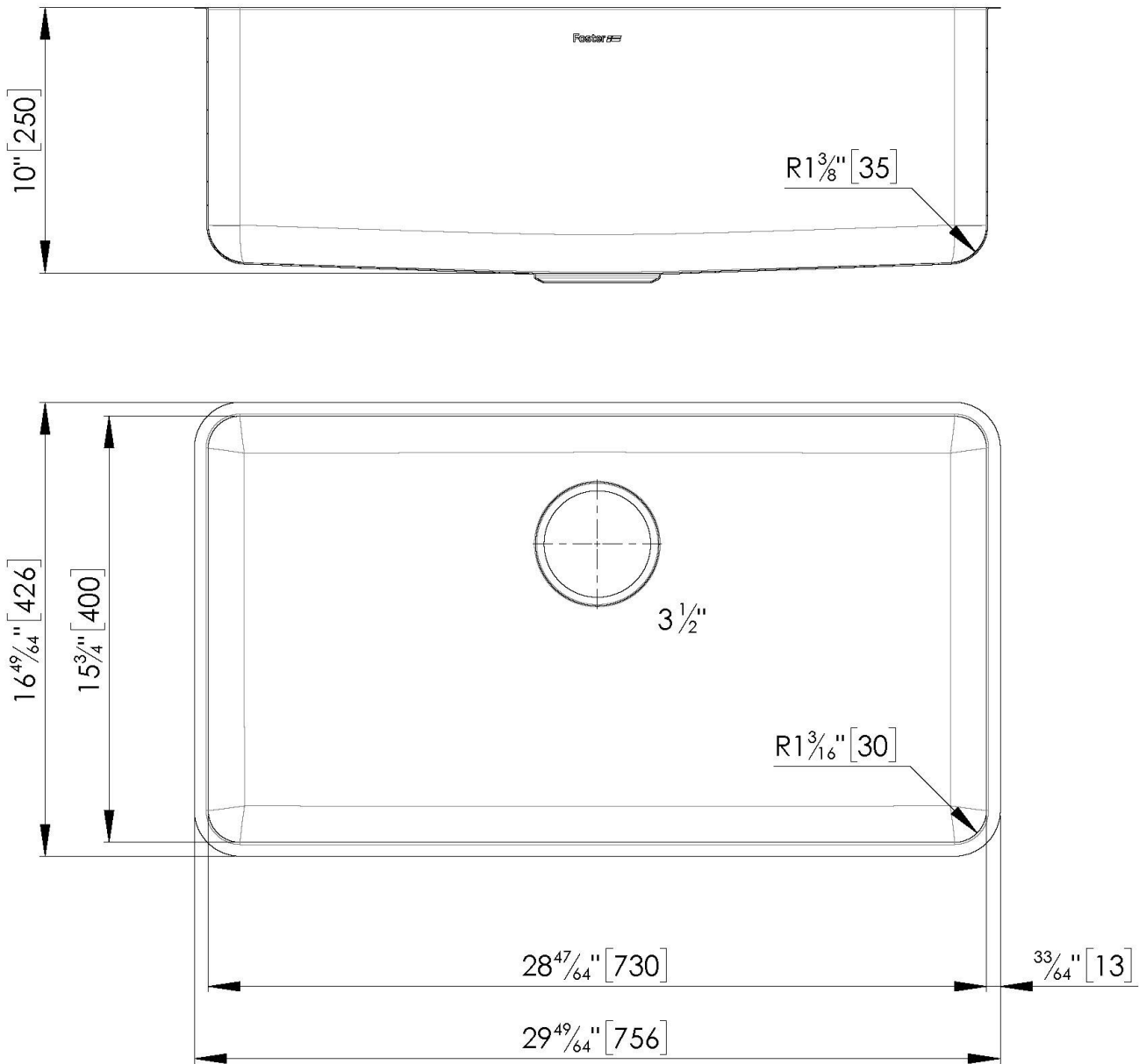
Cut out	28 <sup>3</sup> / <sub>4</sub> " x 15 <sup>3</sup> / <sub>4</sub> "
Waste fitting type	3 <sup>1</sup> / <sub>2</sub> " - with stainless steel basket
Underside	Protected with heavy duty undercoating
Fixing system	Undermount fixing kit (brass insert and clips)

## FEATURES

Basket 3,5" waste fitting	The drain is equipped with a large 3.5" drain, with the practical basket cap that prevents the discharge of solid parts.
High thickness 1.2	1.2 mm thick steel. A significant thickness, which guarantees the maximum sturdiness and durability.
Deep bowls	This bowls reach an important depth, over 20 cm, thanks to the advanced production technology, that can be offer great capiciency and practicity in all the washing operations.

## TECHNICAL DATA





## OPTIONAL ACCESSORIES



**Chopping Board**  
8631 300



**Grating kit complete with ring support and food collection tray**  
8159 101  
\* only in combination with the accessory  
8644 101



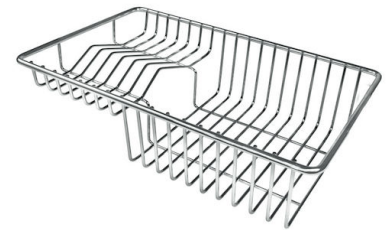
**HDPE Chopping board**  
8657 001



**HPDE Chopping board GREY**  
8657 002



**Iroko-wood sliding chopping board with stainless steel colander**  
8644 044



**Stainless Steel dishes holder**  
8100 303  
\* only in combination with the accessory  
8644 101



**Stainless steel perforated pan**  
8151 000  
\* only in combination with the accessory  
8644 101



**Twin Chopping Board**  
8644 101



**Waste disposer throat**  
8669 043



**White bowl**  
8153 100

## RECOMMENDED PAIRINGS



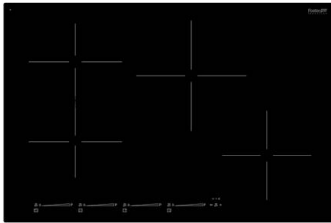
**Faucet Capri**  
8467 005



**Faucet Capri | Satin finish**  
8467 105



**Milano Cooktop 5 burners**  
7638 900



**Induction Cooktop 30"**  
7371 947